

GEOMETRICAL AND MECHANICAL DRAWING

Maximum Marks: 80
Time Allowed: Three hours

Candidates are allowed **additional 15 minutes** for **only** reading the paper.
They must **NOT** start writing during this time.

All dimensions are in millimeters.
Arcs of circles less than 4mm radius may be drawn freehand.

Candidates are required to attempt all questions from **Section A** and all questions **EITHER** from **Section B** **OR** **Section C**.

The intended marks for questions or parts of questions are given in brackets [].

SECTION A – 25 MARKS

Question 1

[25]

Figure 1 given below shows a machine block. Draw the Front View, Top View and Side View by using first or third angle method of projection. Also, draw the symbol of method of projection which you have chosen.

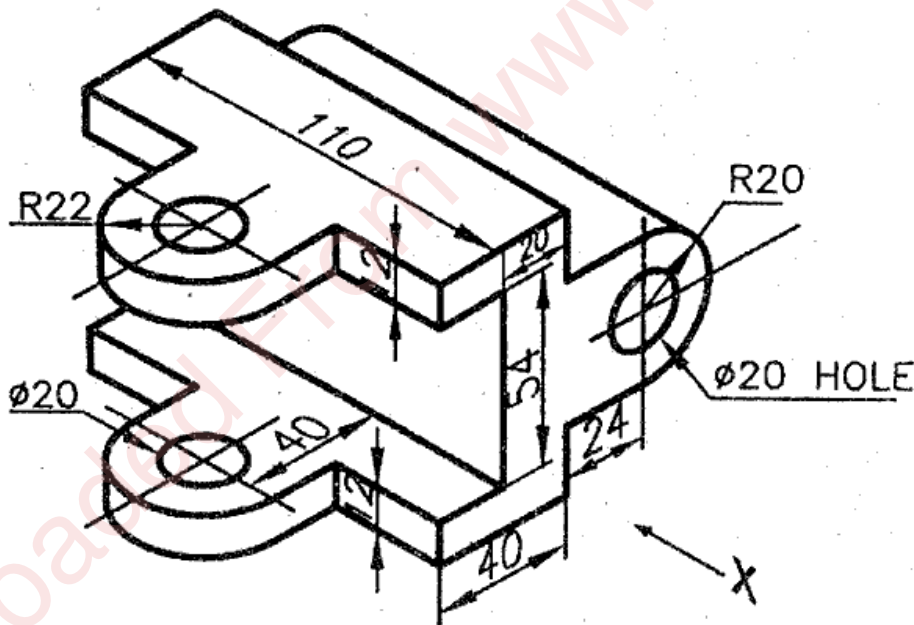


Figure 1

This Paper consists of 5 printed pages and 1 blank page.

SECTION C – 55 MARKS

- (i) *Figure 3* given below shows the isometric view of a machine block. Copy [20] the isometric view.

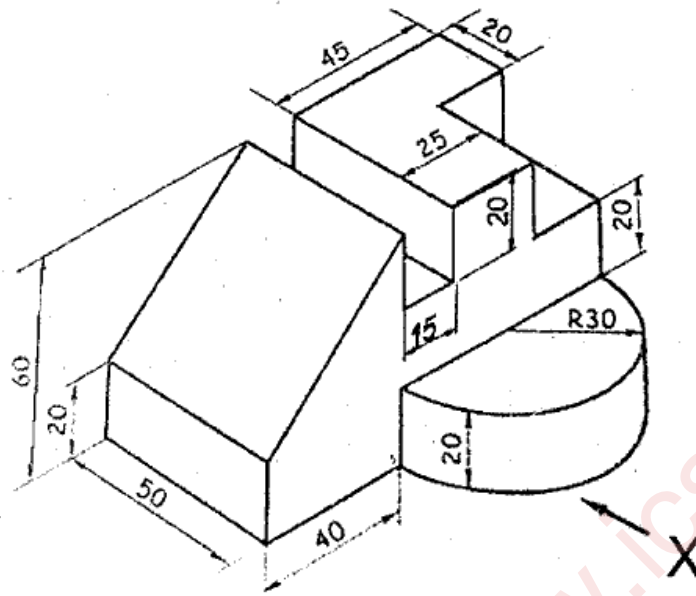


Figure 3

- (ii) **Figure 4** given below shows the machine block. Draw Sectional Front View (along A-A) and Top View by using first or third angle method of projection. [20]

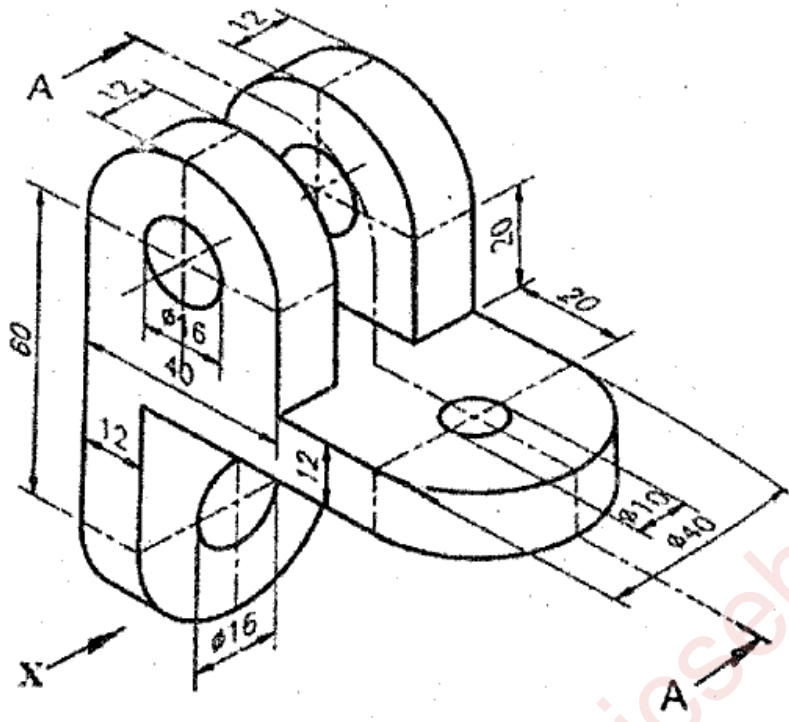


Figure 4

- (iii) *Figure 5* given below shows the Top View of a square base pyramid in first angle method of projection. Copy the given figure. Complete the Front View and draw the Front View and Top View if the axis of the pyramid is inclined at 30° to Horizontal Plane and Top View of the axis is inclined at 45° to Vertical Plane. [15]

Given:

Axis height = 75mm

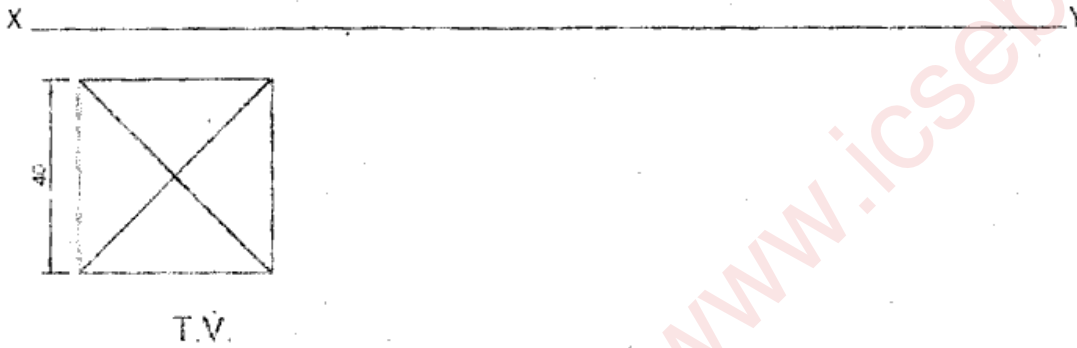


Figure 5